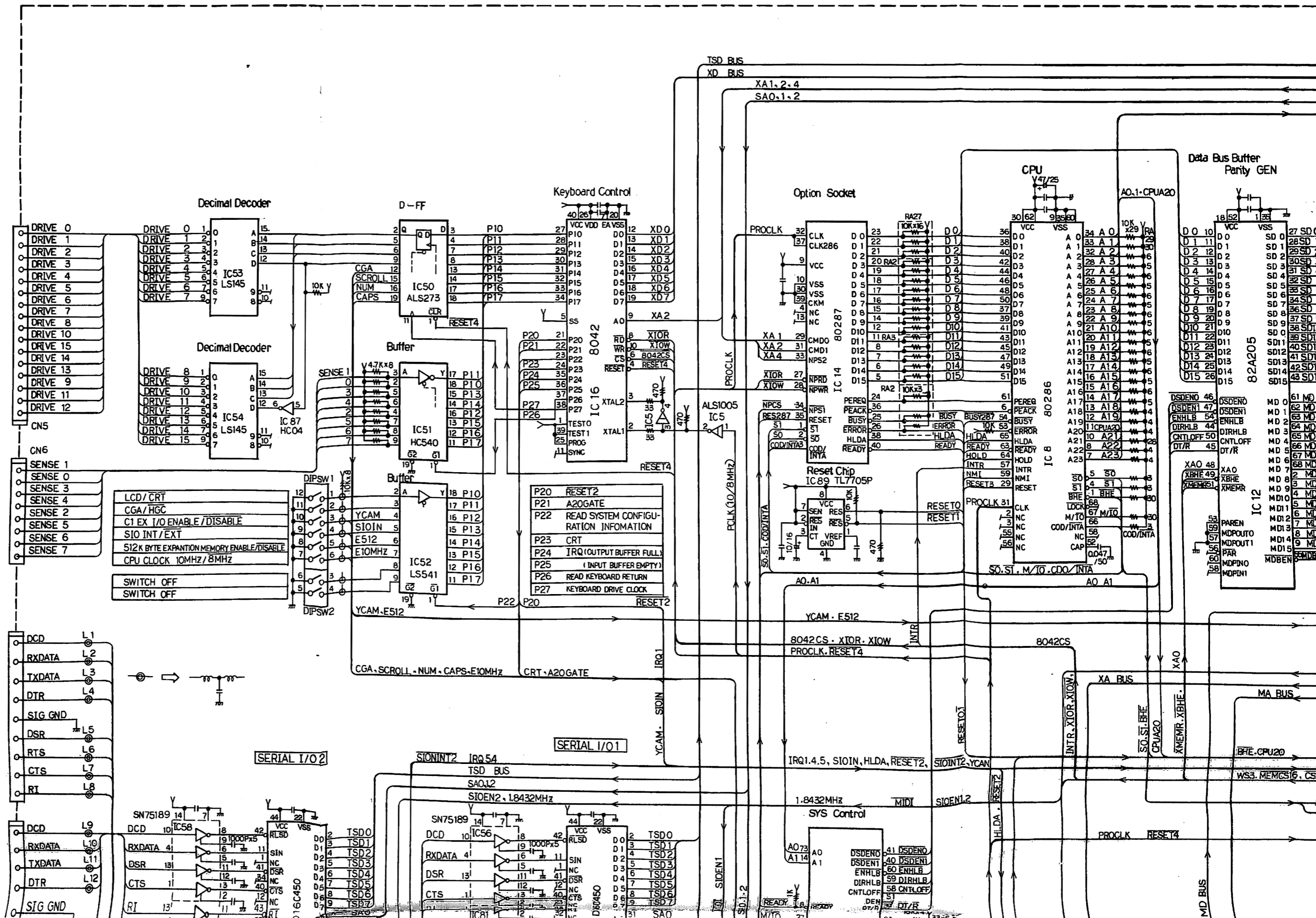
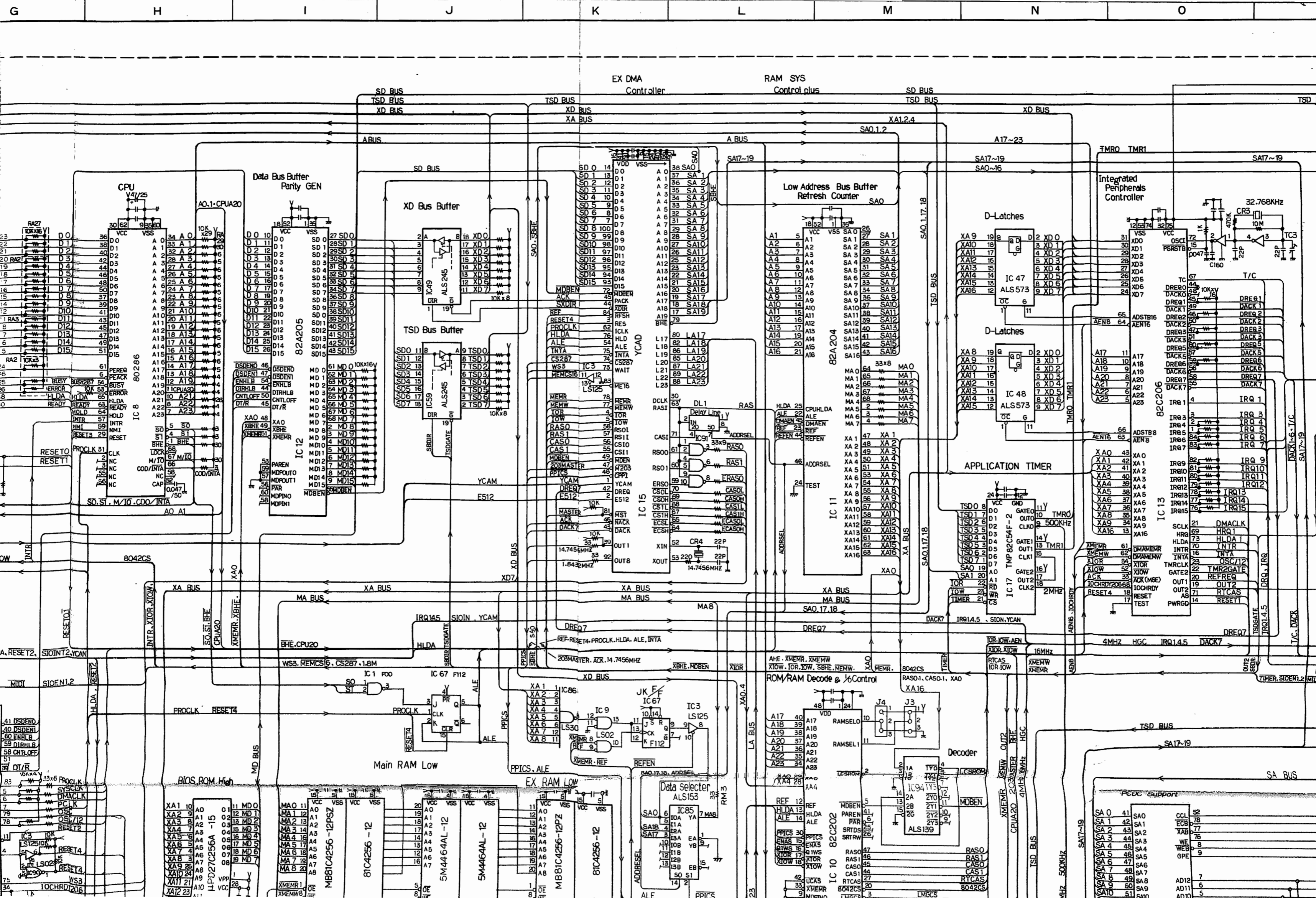
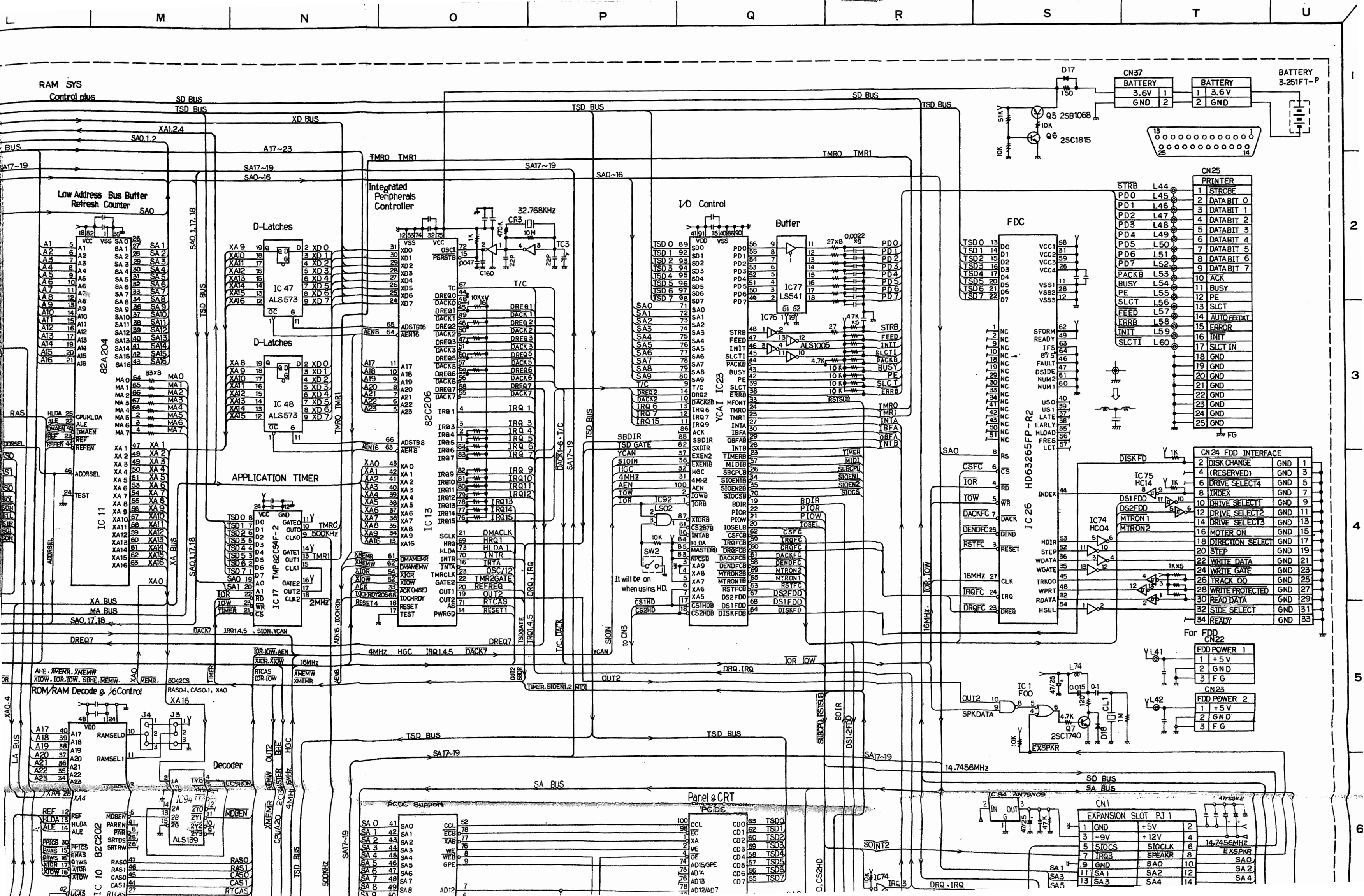


C1 SCHEMATIC DIAGRAM







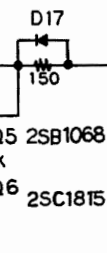
RAM SYS
Control plus

SD BUS
TSD BUS

XD BUS
A17~23
SA17~19
SAO~16

TMDR TMR1

SD BUS
TSD BUS



CN37 BATTERY		BATTERY	
3.6V	1	1	3.6V
GND	2	2	GND

BATTERY 3.25VFT-P

Low Address Bus Buffer Refresh Counter

D-Latches

Integrated Peripherals Controller

I/O Control

Buffer

FDC

STRB L44

PRINTER	
1	STROBE
2	DATABIT 0
3	DATABIT 1
4	DATABIT 2
5	DATABIT 3
6	DATABIT 4
7	DATABIT 5
8	DATABIT 6
9	DATABIT 7
10	ACK
11	BUSY
12	PE
13	SLCT
14	AUTO FEED/DT
15	ERROR
16	INIT
17	SLCT IN
18	GND
19	GND
20	GND
21	GND
22	GND
23	GND
24	GND
25	GND

CN24 FDD INTERFACE

2	DISK CHANGE	GND	1
4	(RESERVED)	GND	3
6	DRIVE SELECT4	GND	5
8	INDEX	GND	7
10	DRIVE SELECT1	GND	9
12	DRIVE SELECT2	GND	11
14	DRIVE SELECT3	GND	13
16	MOTOR ON	GND	15
18	DIRECTION SELECT	GND	17
20	STEP	GND	19
22	WRITE DATA	GND	21
24	WRITE GATE	GND	23
26	TRACK 00	GND	25
28	WRITE PROTECTED	GND	27
30	READ DATA	GND	29
32	SIDE SELECT	GND	31
34	READY	GND	33

For FDD CN22

FDD POWER 1

1	+5V
2	GND
3	FG

CN23

FDD POWER 2

1	+5V
2	GND
3	FG

CN1

EXPANSION SLOT PJ 1

1	GND	+5V	2
3	-9V	+12V	4
5	STOCS	STOCLK	6
7	IRG3	SPEAKR	8
9	GND	SAO	10
11	SA1	SA2	12
13	SA3	SA4	14

ROM/RAM Decode & Control

Decoder

Panel & CRT

PCDC Support

SA17~19

SA0

SA1

SA2

CCL

ECB

XAB

WE

GPE

AD15/GPE

AD14

AD13

AD12

AD12/AD7

C00

C01

C02

C03

C04

TSD0

TSD1

TSD2

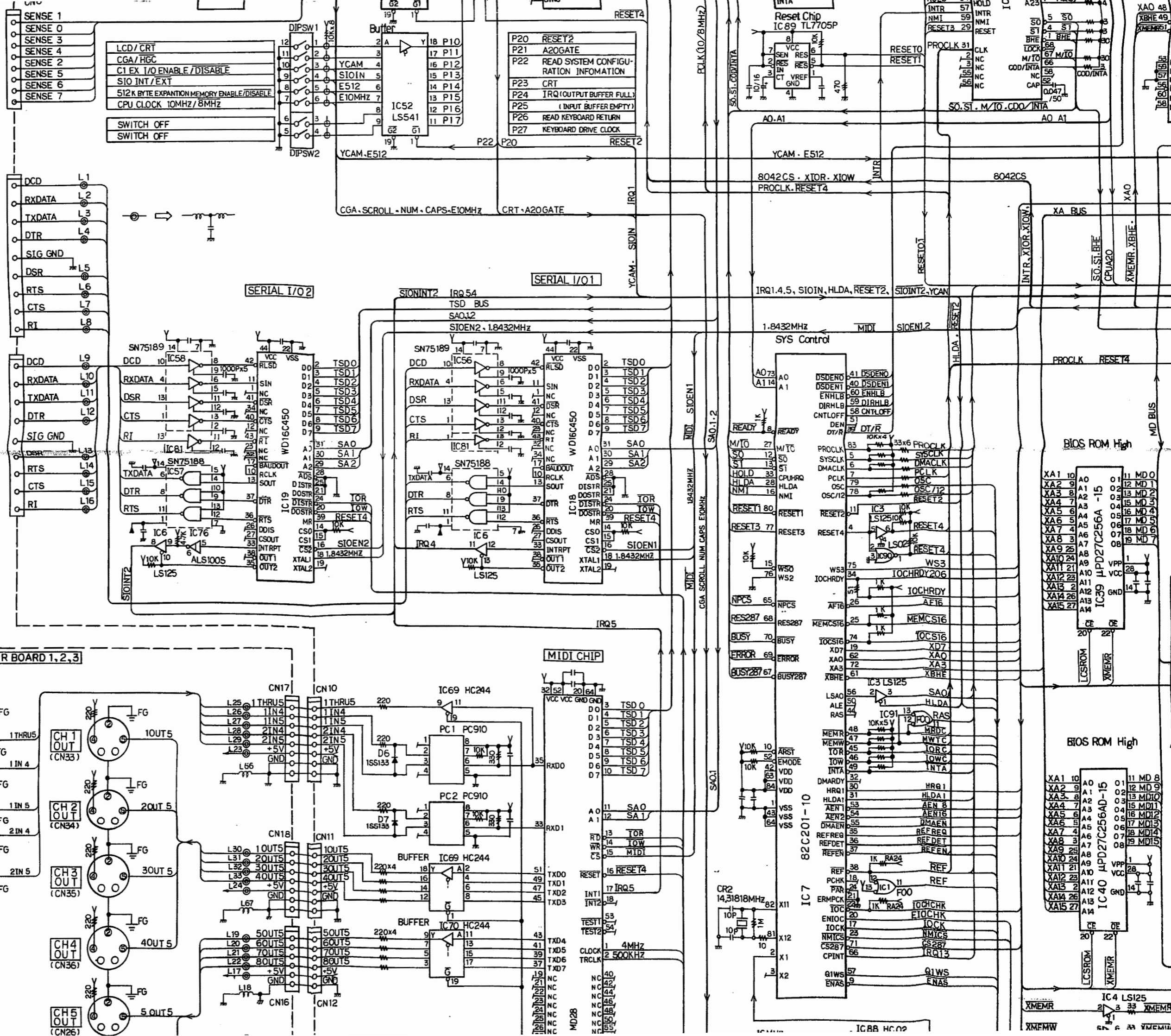
TSD3

TSD4

TSD5

TSD6

TSD7



4

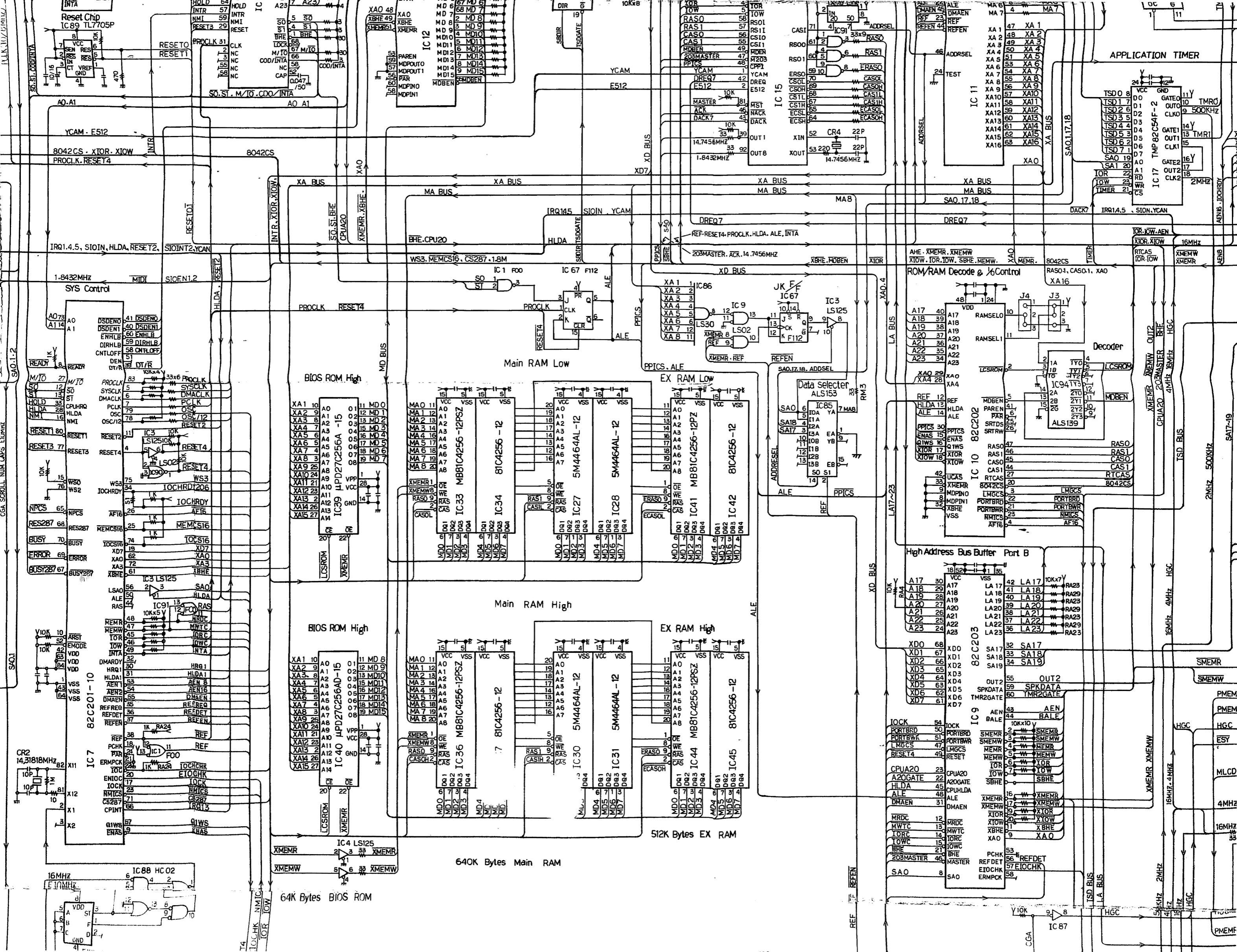
5

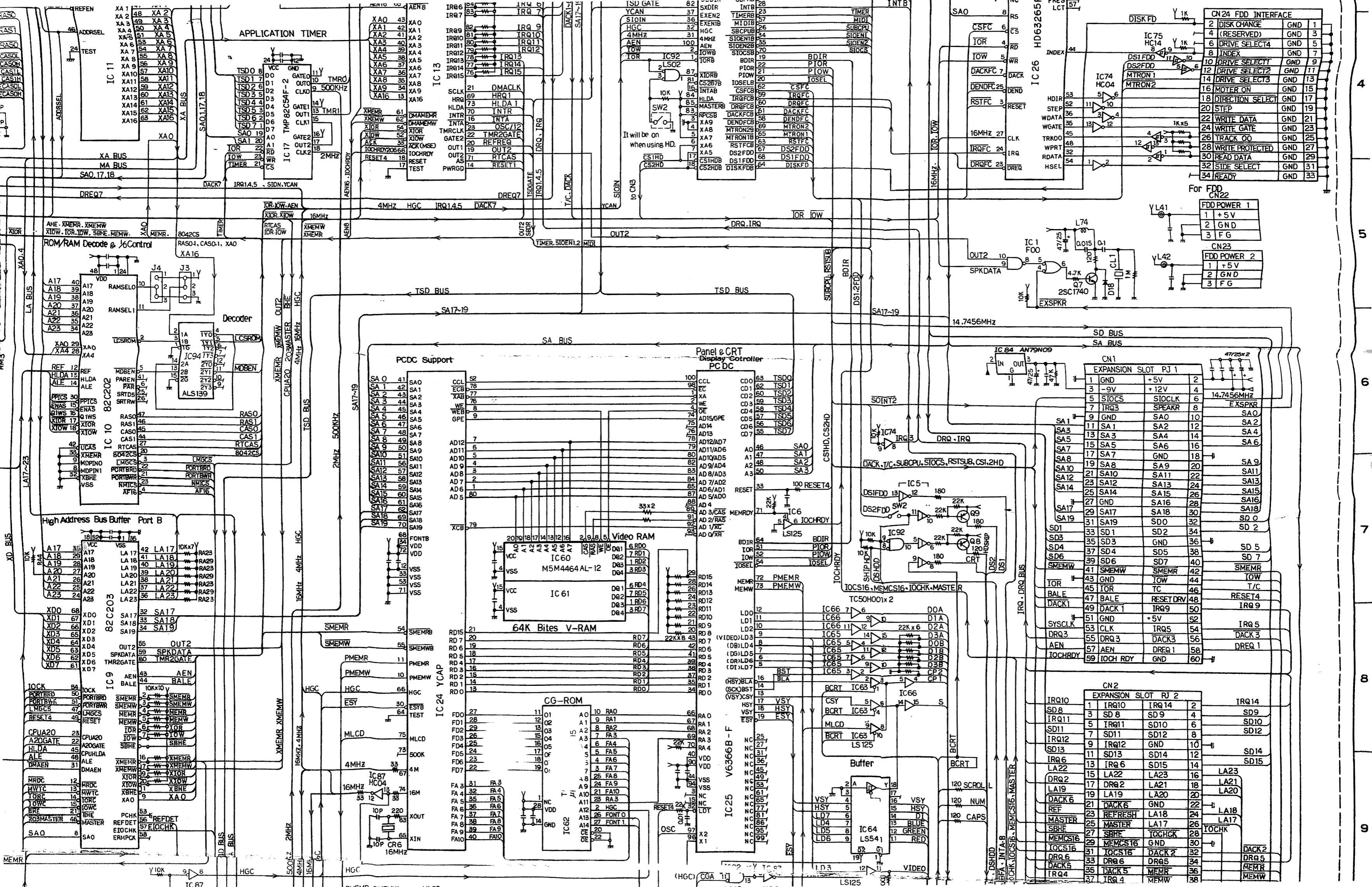
6

7

8

9





APPLICATION TIMER

MEMOR

IC 13

TSO GATE

INTB

CSFC

DISK FD

CN 24 FDD INTERFACE

ROM/RAM Decode & Control

Decoder

PCDC Support

Panel & CRT Display Controller

Video RAM

64K Bytes V-RAM

CG-ROM

Buffer

CN1 EXPANSION SLOT PJ 1

CN2 EXPANSION SLOT RJ 2

FDD POWER 1

1	+5V
2	GND
3	FG

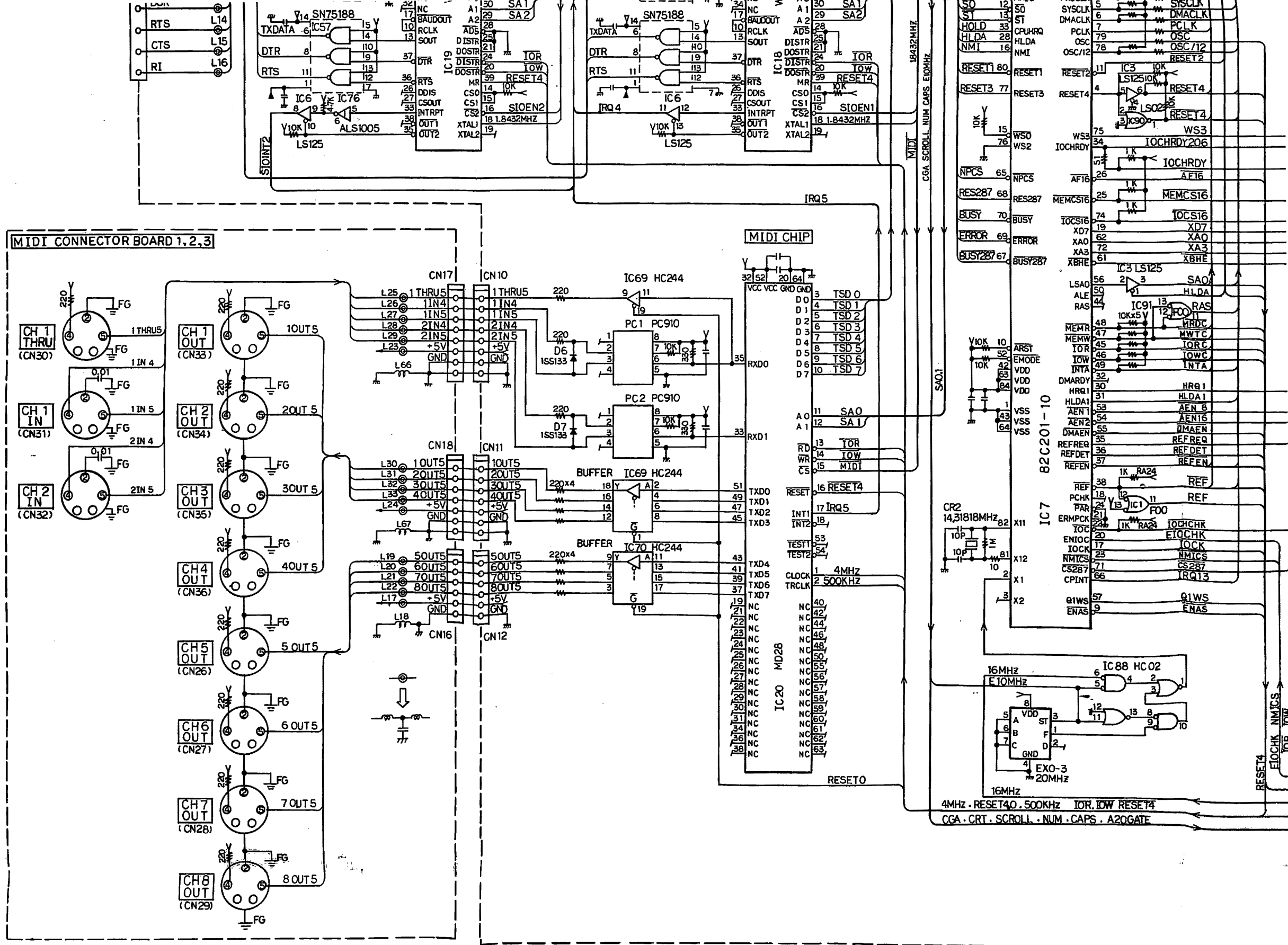
CN23

1	+5V
2	GND
3	FG

1	GND	+5V	2
3	-9V	+12V	4
5	STOCS	SIOCLK	6
7	IRQ3	SPEAKR	8
9	GND	SAO	10
11	SA1	SA2	12
13	SA3	SA4	14
15	SA5	SA6	16
17	SA7	GND	18
19	SA8	SA9	20
21	SA10	SA11	22
23	SA12	SA13	24
25	SA14	SA15	26
27	GND	SA16	28
29	SA17	SA18	30
31	SA19	SD0	32
33	SD1	SD2	34
35	SD3	GND	36
37	SD4	SD5	38
39	SD6	SD7	40
41	SMEMW	SMEMR	42
43	GND	TOW	44
45	TOR	TC	46
47	BALE	RESET DRV	48
49	DACK 1	IRQ9	50
51	GND	+5V	52
53	CLK	IRQ5	54
55	DRQ3	DACK3	56
57	AEN	DREQ1	58
59	IOCHR DY	GND	60

1	IRQ10	IRQ14	2
3	SD 8	SD9	4
5	IRQ11	SD10	6
7	SD11	SD12	8
9	IRQ12	GND	10
11	SD13	SD14	12
13	IRQ6	SD15	14
15	LA22	LA23	16
17	DRQ2	LA21	18
19	LA19	LA20	20
21	DACK6	GND	22
23	REFRESH	LA18	24
25	MASTER	LA17	26
27	SBHE	IOCHK	28
29	MEMCS16	GND	30
31	IOCS16	DACK 2	32
33	DRQ6	DRQ5	34
35	DACK5	DRQ6	36
37	IRQ4	MEMW	38

6
7
8
9
10
11



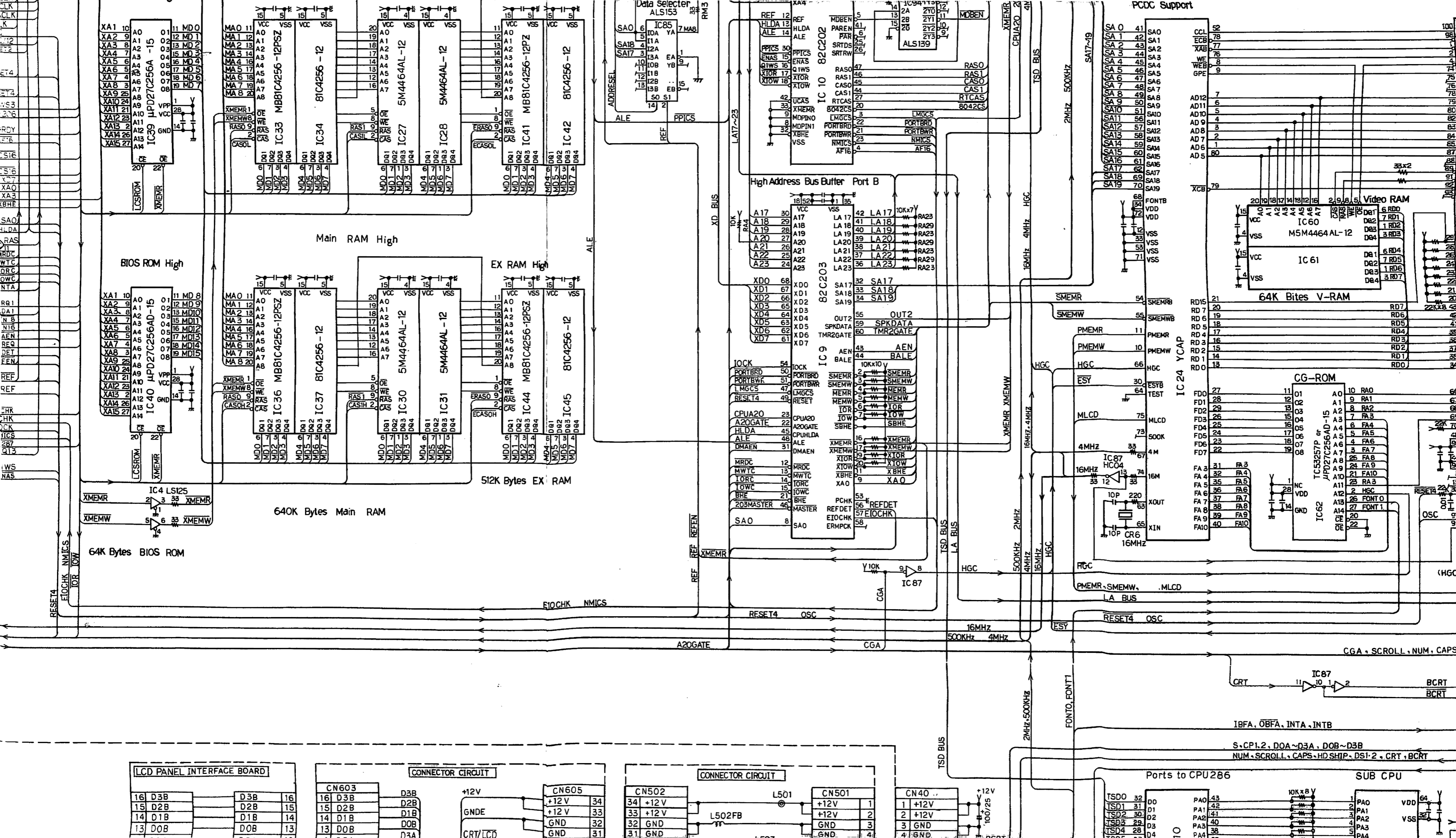
MIDI CONNECTOR BOARD 1,2,3

MIDI CHIP

IC7 82C201-10

IC88 HC02

4MHZ · RESET40 · 500KHZ IOR · IOW RESET4
CGA · CRT · SCROLL · NUM · CAPS · A20GATE



BIOS ROM High

Main RAM High

EX RAM High

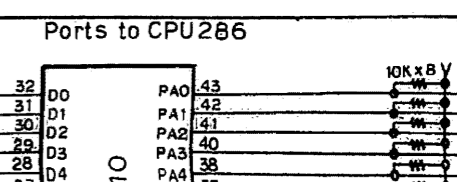
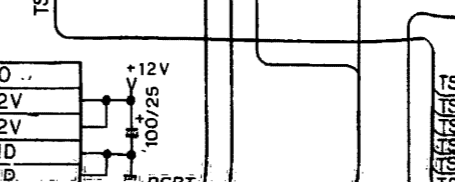
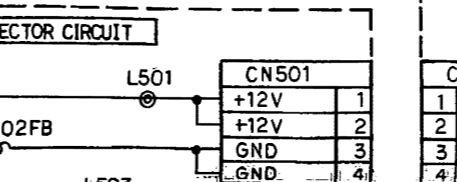
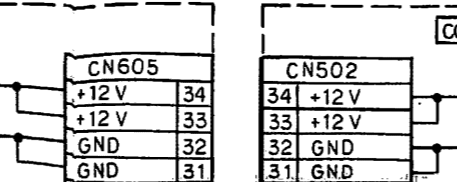
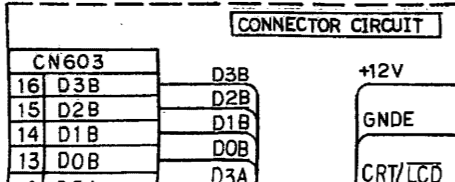
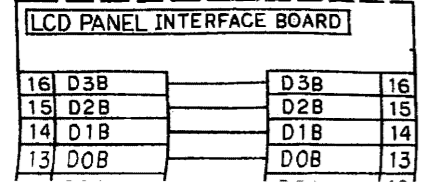
640K Bytes Main RAM

64K Bytes BIOS ROM

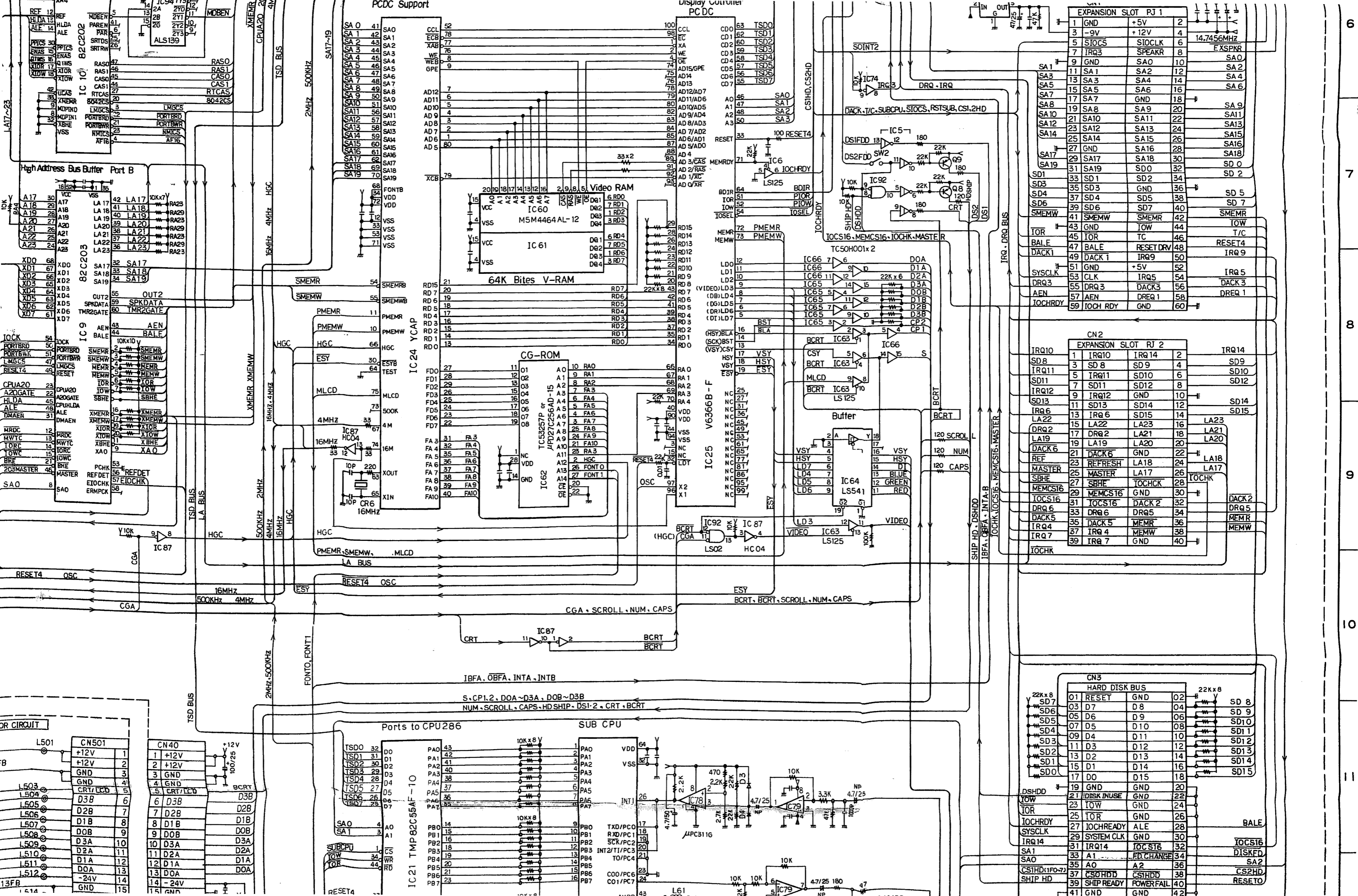
512K Bytes EX RAM

64K Bytes V-RAM

CG-ROM



S.CP1.2, DOA~D3A, DOB~D3B
NUM, SCROLL, CAPS, HD SHIP, DS1.2, CRT, BCRT



PCDC Support

PCDC

EXPANSION SLOT PJ 1

1	GND	+5V	2	
3	-9V	+12V	4	14.7456MHz
5	STOCS	STOCLK	6	
7	IRQ3	SPEAKR	8	EXSPKR
9	GND	SA0	10	SA0
11	SA1	SA2	12	SA2
13	SA3	SA4	14	SA4
15	SA5	SA6	16	SA6
17	SA7	GND	18	
19	SA8	SA9	20	SA9
21	SA10	SA11	22	SA11
23	SA12	SA13	24	SA13
25	SA14	SA15	26	SA15
27	GND	SA16	28	SA16
29	SA17	SA18	30	SA18
31	SA19	SD0	32	SD0
33	SD1	SD2	34	SD2
35	SD3	GND	36	
37	SD4	SD5	38	SD5
39	SD6	SD7	40	SD7
41	SMEW	SMEMR	42	SMEW
43	GND	TOW	44	TOW
45	IOR	TC	46	RESET4
47	BALE	RESETDRV	48	RESET4
49	DACK1	IRQ9	50	IRQ9
51	GND	+5V	52	
53	CLK	IRQ5	54	IRQ5
55	DRQ3	DACK3	56	DACK3
57	AEN	DREQ1	58	DREQ1
59	IOCHRDY	GND	60	

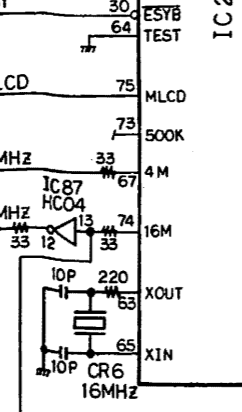
CN2

1	IRQ10	IRQ14	2	IRQ14
3	SD8	SD9	4	SD9
5	IRQ11	SD10	6	SD10
7	SD11	SD12	8	SD12
9	IRQ12	GND	10	
11	SD13	SD14	12	SD14
13	IRQ6	SD15	14	SD15
15	LA22	LA23	16	LA23
17	DRQ2	LA21	18	LA21
19	LA19	LA20	20	LA20
21	DACK6	GND	22	
23	REFRESH	LA18	24	LA18
25	MASTER	LA17	26	LA17
27	SBHE	TOCHK	28	TOCHK
29	MEMCS16	GND	30	
31	IOCS16	DACK2	32	DACK2
33	DRQ6	DRQ5	34	DRQ5
35	DACK5	DRQ6	36	DRQ6
37	IRQ4	MEMW	38	MEMW
39	IRQ7	GND	40	

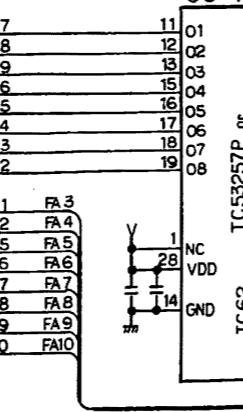
CN3

01	RESET	GND	02	
03	D7	D8	04	SD8
05	D6	D9	06	SD9
07	D5	D10	08	SD10
09	D4	D11	10	SD11
11	D3	D12	12	SD12
13	D2	D13	14	SD13
15	D1	D14	16	SD14
17	D0	D15	18	SD15
19	GND	GND	20	
21	DISK INUSE	GND	22	
23	TOW	GND	24	
25	TOR	GND	26	
27	IOCHRDY	ALE	28	BALE
29	SYSCLK	SYSTEM CLK	30	
31	IRQ14	IOCS16	32	IOCS16
33	SA1	FD CHANGE	34	DISKFD
35	SA0	A2	36	SA2
37	CS2HDD	CS2HDD	38	CS2HDD
39	SHIP HD	POWER FAIL	40	RESETO
41	GND	GND	42	

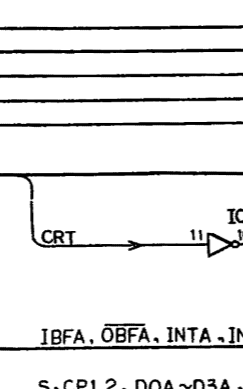
IC 24 YCAP



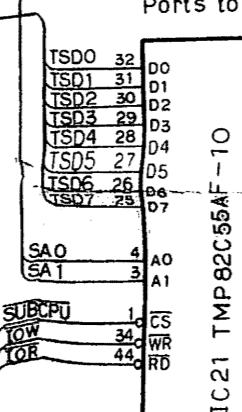
CG-ROM



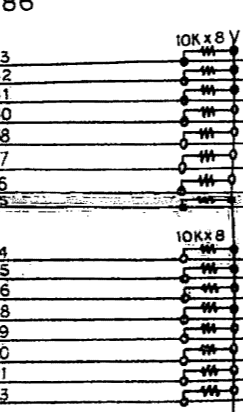
64K Bytes V-RAM



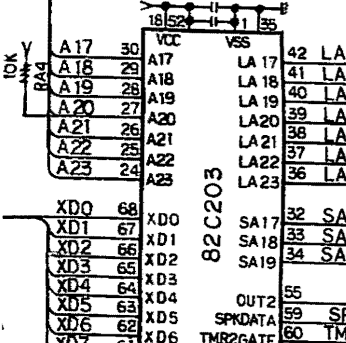
Ports to CPU286



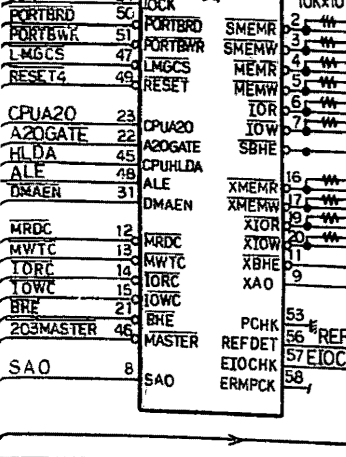
SUB CPU



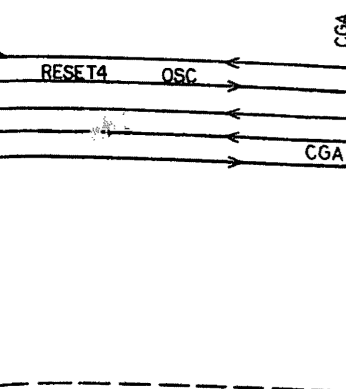
High Address Bus Buffer Port B



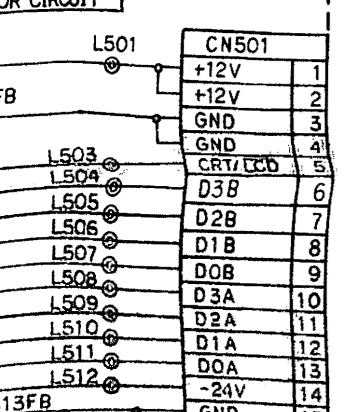
IC 9



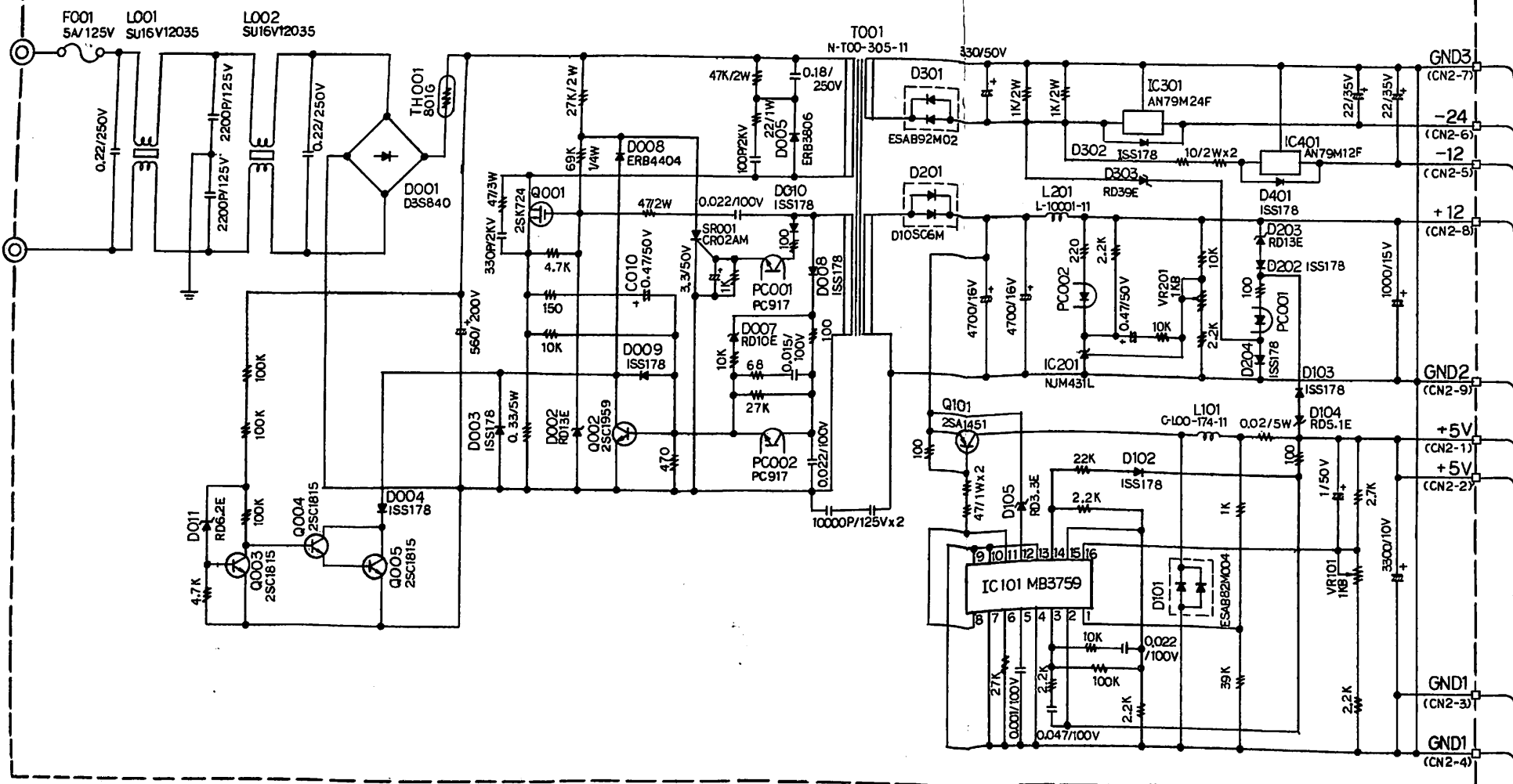
IC 87



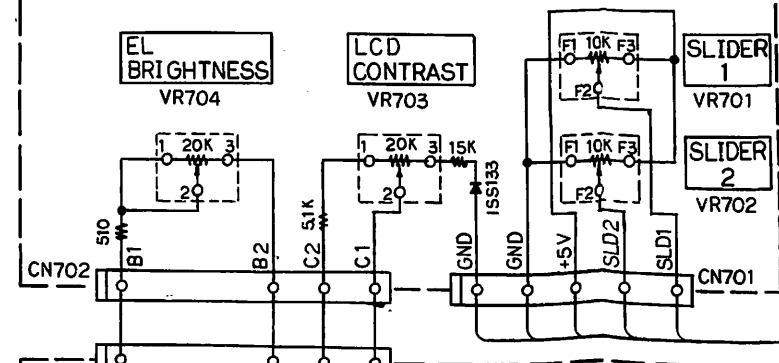
OR CIRCUIT



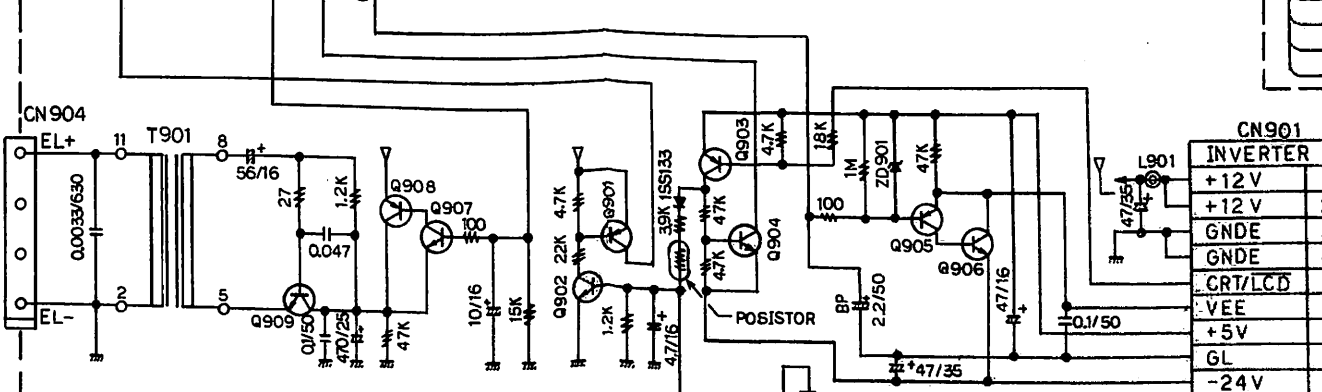
POWER SUPPLY UNIT



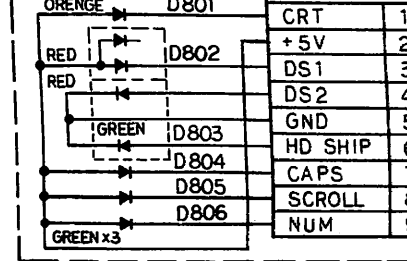
SLIDER BOARD



INVERTER BOARD



LED BOARD



CN901 INVERTER

1	+12V	1
2	+12V	2
3	GNDE	3
4	GNDE	4
5	CRT/LCD	5
6	VEE	6
7	+5V	7
8	GL	8
9	-24V	9

CN801 LED

1	CRT	1
2	+5V	2
3	DS1	3
4	DS2	4
5	GND	5
6	HD SHIP	6
7	CAPS	7
8	SCROLL	8
9	NUM	9

10	D1A	10
9	DOA	9
8	VEE	8
7	VSS	GND
6	VDD	VDD
5	NC	GND
4	NC	GND
3	CP2	CP2
2	CP1	CP1
1	S	S

A

B

C

D

E

F

G

H

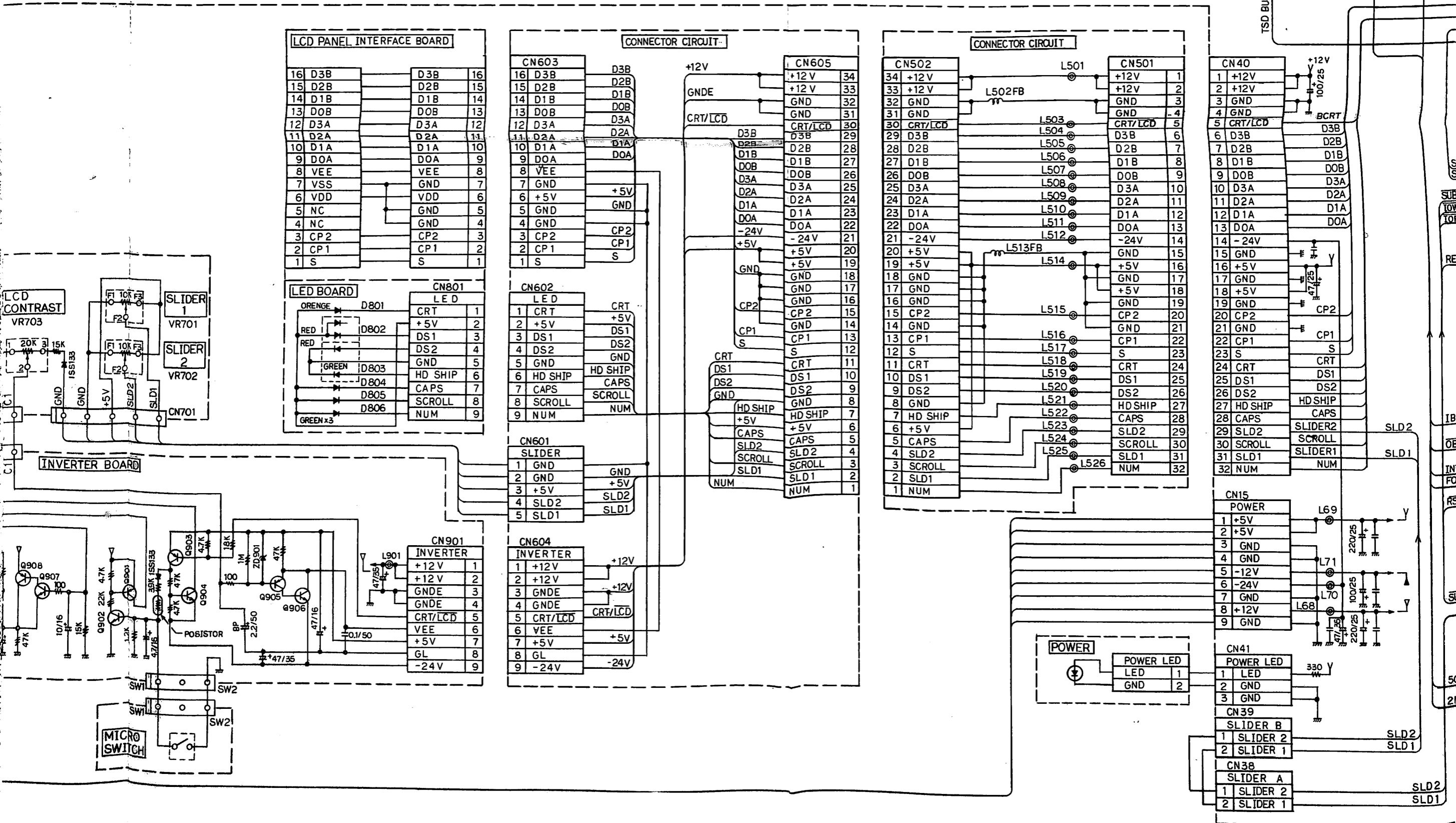
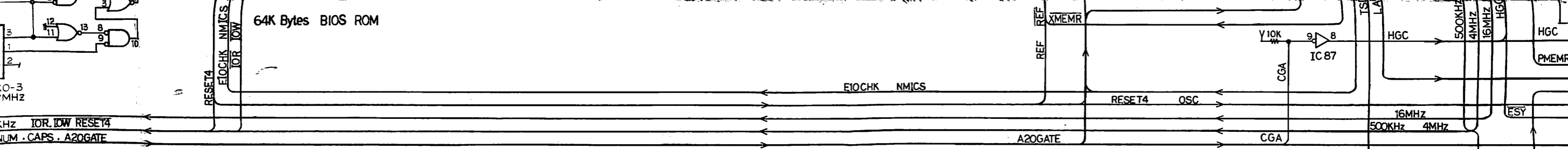
I

12

13

14

15



G H I J K L M N

