

MIF-IPC / MIF-APL

SERVICE NOTES

Second Edition

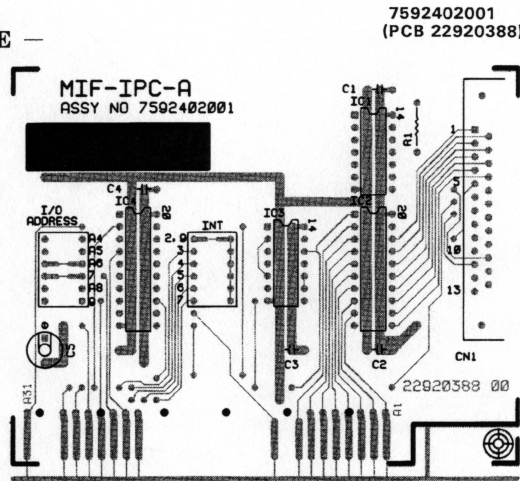
This notes includes the context on the First Edition released under Roland DG brand and makes the First Edition obsolete.

MIF-IPC (SN.684200-UP)

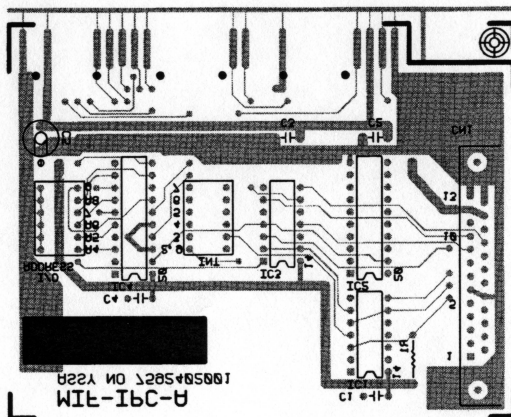
Applicable models: IBM PC (IBM5150)
IBM PC XT (IBM5160)
IBM PC AT (IBM5170)

I/O Address: 330H ~ 33FH
Interrupt: IRQ2

— PARTS SIDE —



— FOIL SIDE —



PARTS LIST

PCB ASSY

7592402001 (pcb 22920388)

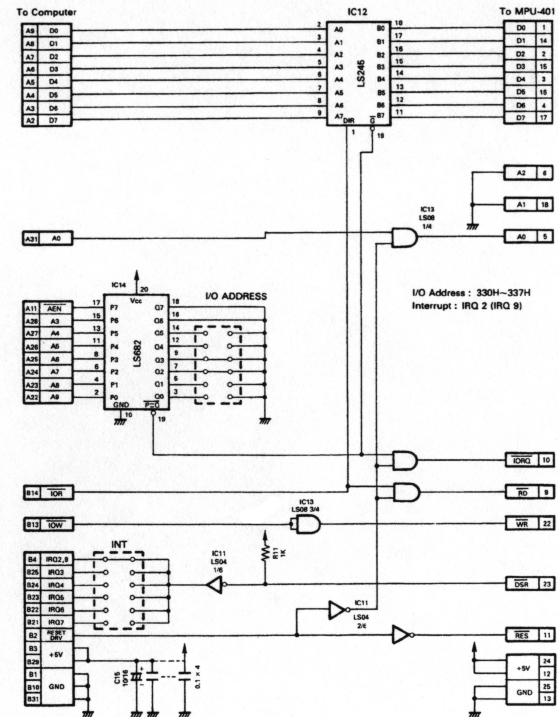
IC

15169304	74LS04	IC11	Hex inverters
15169324	74LS245	IC12	Octal BUS transceivers with 3-STATE outputs
15169305	74LS08	IC13	Quad 2-input AND gates
15169363	74LS682	IC14	8-BIT magnitude comparator

MISCELLANEOUS

13429164	D-Sub Connector 25 pin
22215720	Back Panel
23485149	Cable Assy 348-149

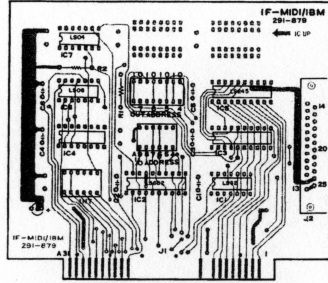
CIRCUIT DIAGRAM



MIF-IPC (Prior to SN.684200)

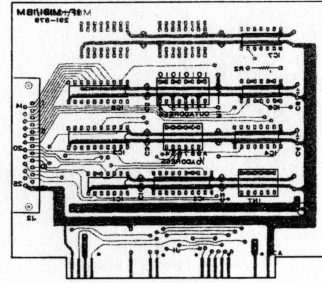
Applicable models: IBM 5150 (IBM PC)
5160 (IBM PC XT)
I/O Address: 330H ~ 33FH
Interrupt: IRQ2

—PARTS SIDE—



IC3 and IC4 are not installed.

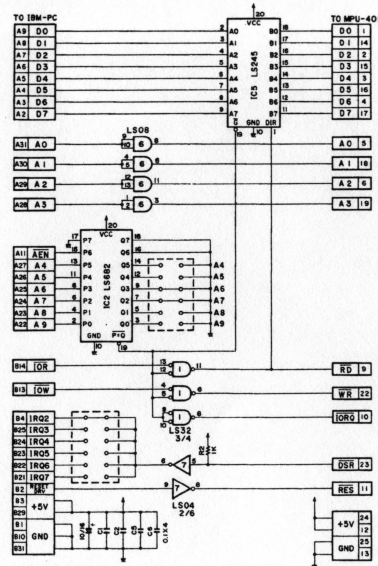
—SOLDER SIDE—



—PARTS LIST—

Ref. No.	Part No.	Description
PCB ASSEMBLY		
	7592402000	(PCB 291-893)
IC		
IC7	15169304	74LS04 (Hex inverters)
IC8	15169305	74LS08 (Quad 2-input AND gates)
IC1	15169339	74LS32 (Quad 2-input exclusive OR gates)
IC5	15169324	74LS245 (Octal BUS transceivers with 3-STATE outputs)
IC2	15169363	74LS682 (8-BIT magnitude comparator)
OTHERS		
	13429164	D-Sub Connector 25Pin
	22215720	Back Panel
	23485149	Cable Ass'y 348-149

—SCHEMATIC DIAGRAM—

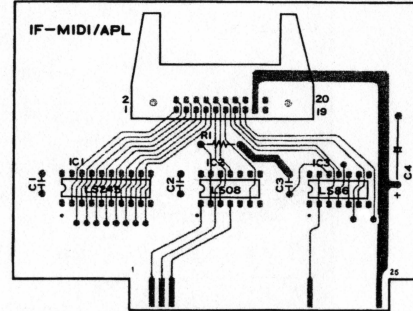


MIF-APL

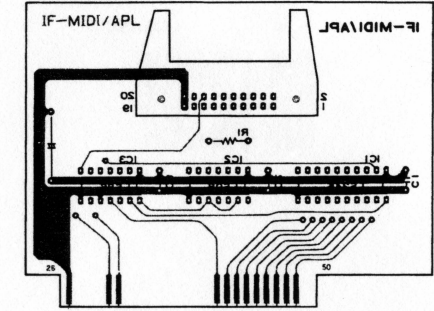
Applicable models: Apple II
Apple II plus
Apple IIe

I/O Address: \$C0nX
n = Slot No. + 8

—PARTS SIDE—



—SOLDER SIDE—



—PARTS LIST—

Ref. No.	Part No.	Description
PCB ASSEMBLY		
	7592302000	(PCB 291-894)
IC		
IC2	15169305	74LS08 (Quad 2-input AND gates)
IC3	15169313	74LS86 (Quad 2-input exclusive OR gates)
IC1	15169324	74LS245 (Octal BUS transceivers with 3-STATE outputs)
OTHERS		
	13439242	20Pin Connector FCN705P020AU/W
	23485157	Cable Ass'y 348-157

—SCHEMATIC DIAGRAM—

