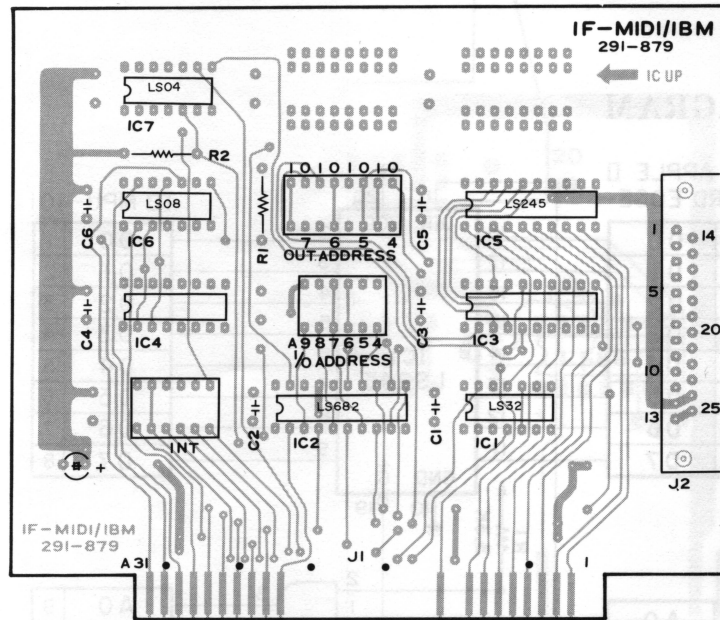


MPU-401 INTERFACE KIT SERVICE NOTES MIF-IPC/MIF-APL

MIF-IPC

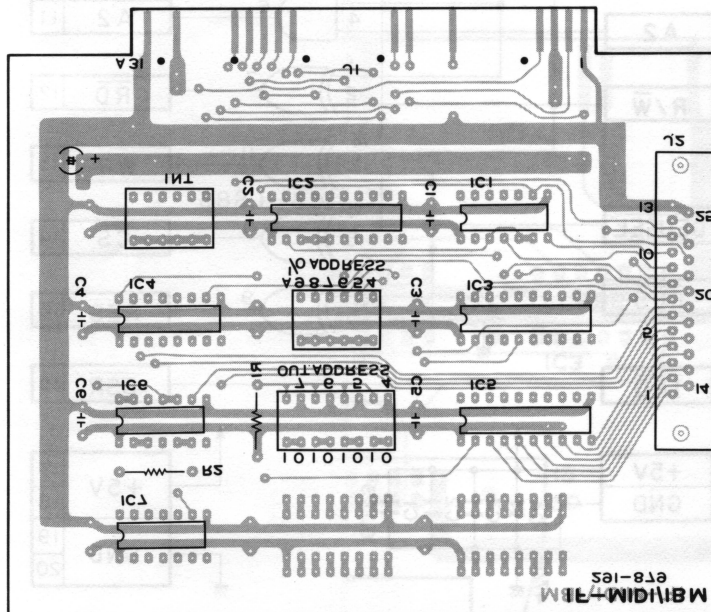
Applicable models: IBM 5150
5160
I/O Address: 330H ~ 33FH
Interrupt: IRQ2

—PARTS SIDE—



IC3 and IC4 are not installed.

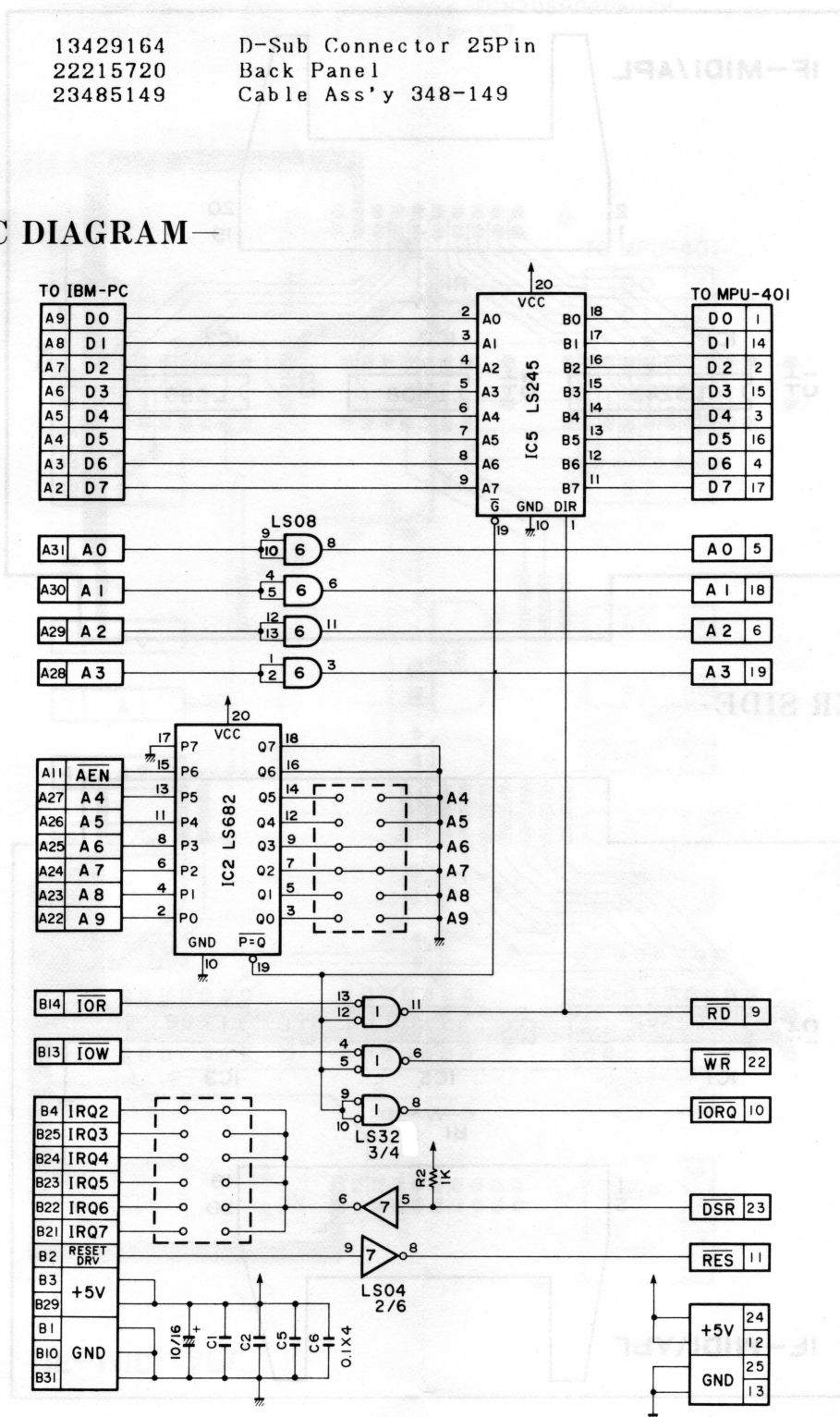
—SOLDER SIDE—



—PARTS LIST—

Ref. No.	Part No.	Description
PCB ASSEMBLY		
	7592402000	(PCB 291-893)
IC		
IC7	15169304	74LS04 (Hex inverters)
IC6	15169305	74LS08 (Quad 2-input AND gates)
IC1	15169339	74LS32 (Quad 2-input exclusive OR gates)
IC5	15169324	74LS245 (Octal BUS transceivers with 3-STATE outputs)
IC2	15169363	74LS682 (8-BIT magnitude comparator)
OTHERS		
	13429164	D-Sub Connector 25Pin
	22215720	Back Panel
	23485149	Cable Ass'y 348-149

—SCHEMATIC DIAGRAM—

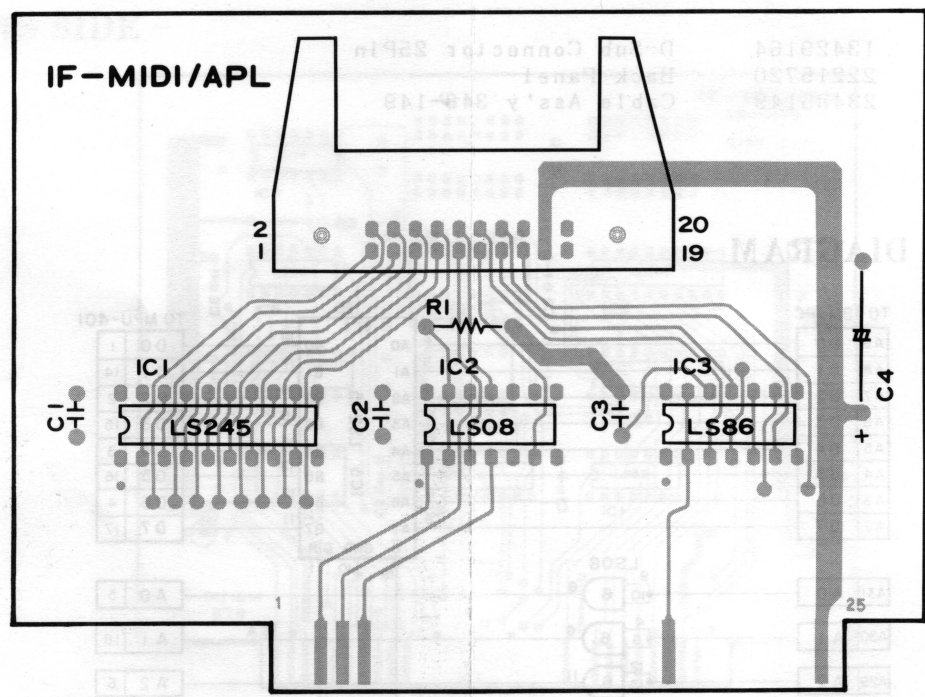


MIF-APL

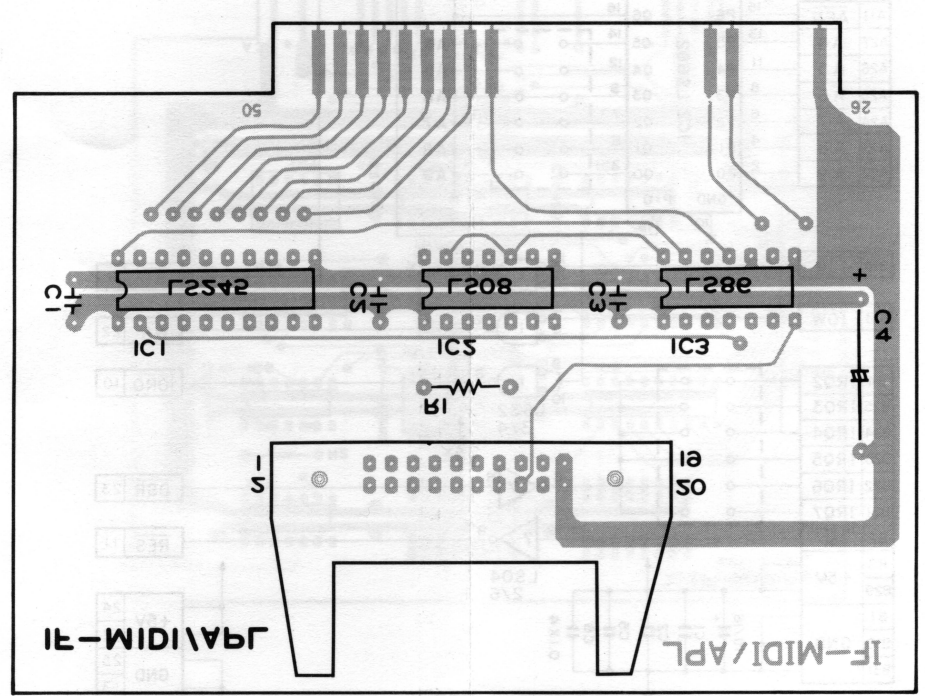
Applicable models: Apple II
Apple II plus
Apple IIe

I/O Address: \$C0nX
n = Slot No. + 8

—PARTS SIDE—



—SOLDER SIDE—



—PARTS LIST—

Ref. No.	Part No.	Description

PCB ASSEMBLY		

	7592302000	(PCB 291-894)
IC		

IC2	15169305	74LS08 (Quad 2-input AND gates)
IC3	15169313	74LS86 (Quad 2-input exclusive OR gates)
IC1	15169324	74LS245 (Octal BUS transceivers with 3-STATE outputs)
OTHERS		

	13439242	20pin Connector FCN705P020AU/M
	23485157	Cable Ass'y 348-157

—SCHEMATIC DIAGRAM—

